



4300 SBA LP 4x2

Sales Proposal For:

Life Alert Rescue

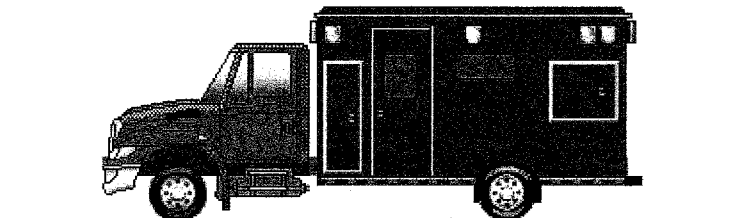
Presented By:

SELKING INTERNATIONAL

Prepared For:
Life Alert Rescue
Neil Baker
1710 Romick Parkway
Oakwood, OH 45873-
(419)594 - 8835

Presented By:
SELKING INTERNATIONAL
Philip S Johnston
2807 GOSHEN ROAD
FT WAYNE IN 46808 -
(260)482-3000

Thank you for the opportunity to provide you with the following quotation on a new International truck. I am sure the following detailed specification will meet your operational requirements, and I look forward to serving your business needs.



Model Profile
2010 4300 SBA LP 4X2 (MH025)

APPLICATION:	Ambulance
MISSION:	Requested GVWR: 23500. Calc. GVWR: 24500 Calc. Start / Grade Ability: 27.10% / 3.08% @ 55 MPH Calc. Geared Speed: 81.6 MPH <i>76.4</i> <i>Grade Ability 43.0</i>
FUEL ECONOMY:	8.88 MPG @ 55 MPH <i>81.6</i>
DIMENSION:	Wheelbase: 169.00, CA: 101.90, Axle to Frame: 63.00
ENGINE, DIESEL:	{International MaxxForce DT} 255 HP, 660 lb-ft Torque @ 1400 RPM, 2600 RPM Governed Speed, # 2 Bell Housing
TRANSMISSION, AUTOMATIC:	{Allison 2200_EVS_P} 4th Generation Controls; Close Ratio, 5-Speed, With Overdrive; Includes Park Pawl, With PTO Provision, Less Retarder, With 26,000-lb GVW & GCW Max.
CLUTCH:	Omit Item (Clutch & Control)
AXLE, FRONT NON-DRIVING:	{International I-100S} I-Beam Type, 9,000-lb Capacity
AXLE, REAR, SINGLE:	{Dana Spicer 17060S} Single Reduction, 17,500-lb Capacity, With 190 Wheel Ends Gear Ratio: 4.33 <i>4.10</i>
CAB:	Conventional
TIRE, FRONT:	(2) 245/70R19.5 G647 RSS (GOODYEAR) 626 rev/mile, load range G, 14 ply
TIRE, REAR:	(4) 245/70R19.5 G622 RSD (GOODYEAR) 622 rev/mile, load range G, 14 ply
SUSPENSION, REAR, AIR, SINGLE:	{International} Ride Optimized Suspension (IROS); 15,500-lb Capacity, 5.3" Ride Height, With Shock Absorbers
PAINT:	Cab schematic 100GA Location 1: 2562, Red (Prem) Chassis schematic N/A

433

Description

Base Chassis, Model 4300 SBA LP 4X2 with 169.00 Wheelbase, 101.90 CA, and 63.00 Axle to Frame.

TOW HOOK, FRONT (2) Inside Rail, Frame Mounted.

FRAME RAILS High Strength Low Alloy Steel (80,000 PSI Yield); 9.125" x 3.062" x 0.312" (231.8mm x 77.8mm x 8.0mm) With Transition to 6.500" x 3.062" x 0.312" (165.1mm x 77.8mm x 8.0mm) 388.4" (9864mm) Maximum OAL; For LP Chassis

BUMPER, FRONT Full Width, Aerodynamic, Chrome Plated Steel; 0.142" Material Thickness

WHEELBASE RANGE 134" (340cm) Through and Including 197" (500cm)

AXLE, FRONT NON-DRIVING {International I-100S} I-Beam Type, 9,000-lb Capacity

SUSPENSION, FRONT, SPRING Parabolic, Taper Leaf; 9,000-lb Capacity; With Shock Absorbers

Includes

: SPRING PINS Rubber Bushings, Maintenance-Free

BRAKE SYSTEM, AIR Dual System for Straight Truck Applications

Includes

: BRAKE CHAMBERS, SPRING (2) Rear Parking

: BRAKE LINES Color and Size Coded Nylon

: DRAIN VALVE Twist-Type

: GAUGE, AIR PRESSURE (2) Air 1 and Air 2 Gauges; Located in Instrument Cluster

: PARKING BRAKE CONTROL Yellow Knob, Located on Instrument Panel

: PARKING BRAKE VALVE For Truck

: QUICK RELEASE VALVE Bendix On Rear Axle for Spring Brake Release: 1 for 4x2, 2 for 6x4

: SLACK ADJUSTERS, FRONT Automatic

: SLACK ADJUSTERS, REAR Automatic

: SPRING BRAKE MODULATOR VALVE R-7 for 4x2, SR-7 with relay valve for 6x4

DRAIN VALVE, AUTOMATIC {Bendix DV-2} With Heater, for Air Tank

AIR BRAKE ABS {Bendix AntiLock Brake System} Full Vehicle Wheel Control System (4-Channel) With Automatic Traction Control

AIR DRYER {Bendix AD-IP} With Heater

BRAKES, FRONT, AIR CAM S-Cam; 15.0" x 4.0"; Includes 20 Sq. In. MGM Long Stroke Brake Chambers

BRAKES, REAR, AIR CAM 15.0" x 8.63", Includes MGM TR2430 Long Stroke Brake Chambers and Heavy Duty Spring Actuated Parking Brake

AIR COMPRESSOR {Bendix Tu-Flo 550} 13.2 CFM Capacity

STEERING COLUMN Tilting

STEERING WHEEL 2-Spoke, 18" Diam., Black

STEERING GEAR {Sheppard M-100} Power

EXHAUST SYSTEM Single, Horizontal, Aftertreatment Device, Frame Mounted Right Side Back of Cab, Includes Horizontal Tail Pipe

Includes

: PLEASE NOTE: The Horizontal Tailpipe Includes a Temperature Control Device

SWITCH, FOR EXHAUST 3 Position, Momentary, Lighted Momentary, ON/CANCEL, Center Stable, INHIBIT REGEN, Mounted in IP Inhibits Diesel Particulate Filter Regeneration When Switch is Moved to ON While Engine is Running, Resets When Ignition is Turned OFF

ELECTRICAL SYSTEM 12-Volt, Standard Equipment

Includes

: BATTERY BOX Steel; Mounted Left Side, Under Cab

: DATA LINK CONNECTOR For Vehicle Programming and Diagnostics In Cab

: FUSES, ELECTRICAL SAE Blade-Type

Description

: HAZARD SWITCH Push On/Push Off, Located on Top of Steering Column Cover
 : HEADLIGHT DIMMER SWITCH Integral with Turn Signal Lever
 : HORN, ELECTRIC Single
 : JUMP START STUD Located on Positive Terminal of Outermost Battery
 : PARKING LIGHT Integral with Front Turn Signal and Rear Tail Light
 : STARTER SWITCH Electric, Key Operated
 : STOP, TURN, TAIL & B/U LIGHTS Dual, Rear, Combination with Reflector
 : TURN SIGNAL SWITCH Self-Cancelling for Trucks, Manual Cancelling for Tractors, with Lane Change Feature
 : TURN SIGNALS, FRONT Includes Reflectors and Auxiliary Side Turn Signals, Solid State Flashers; Flush Mounted
 : WINDSHIELD WIPER SWITCH 2-Speed with Wash and Intermittent Feature (5 Pre-Set Delays), Integral with Turn Signal Lever
 : WINDSHIELD WIPERS Single Motor, Electric, Cowl Mounted
 : WIRING, CHASSIS Color Coded and Continuously Numbered

POWER SOURCE Cigar Type Receptacle without Plug and Cord

RADIO Accommodation Package; Less Radio, With Wiring and Antenna, Includes Multiple Dual-Cone Speakers

Includes

: SPEAKERS IN CAB (2) Dual-Cone with Deluxe Interior
 : SPEAKERS IN CAB (4) Coaxial with Premium Interior

ALTERNATOR {Leece-Neville 4920PAH} Brush Type; 12 Volt 220 Amp. Capacity, Pad Mounted, Includes 1-Gauge Protected Charging Circuit

BODY BUILDER WIRING Back of Standard Cab at Left Frame or Under Extended or Crew Cab at Left Frame; Includes Sealed Connectors for Tail/Amber Turn/Marker/ Backup/Accessory Power/Ground and Sealed Connector for Stop/Turn

BATTERY SYSTEM {International} Maintenance-Free, (3) 12-Volt 1950CCA Total

SWITCH, AIR HORN, PASSENGER Fire Truck Application; Switch Located in Instrument Panel Close to Passenger, Driver Also To Activate Switch at Steering Wheel

HORN, AIR ACCOMMODATION PACKAGE; less Horn.

HEADLIGHTS Halogen; Composite Aero Design for Two Light System; Includes Daytime Running Lights

STARTING MOTOR {Delco Remy 38MT Type 300} 12 Volt; less Thermal Over-Crank Protection

ALARM, PARKING BRAKE Electric Horn Sounds in Repetitive Manner When Vehicle Park Brake is "NOT" Set, With Ignition "OFF" and any Door Opened

GRILLE Chrome

FRONT END Tilting, Fiberglass, With Three Piece Construction

PAINT SCHEMATIC, PT-1 Single Color, Design 100

Includes

: PAINT SCHEMATIC ID LETTERS "GA"

PAINT TYPE Base Coat/Clear Coat, 1-2 Tone

PAINT CLASS Premium Color.

CLUTCH Omit Item (Clutch & Control)

BLOCK HEATER, ENGINE {Phillips} 120 Volt/1250 Watt

Includes

: BLOCK HEATER SOCKET Receptacle Type; Mounted below Drivers Door

ENGINE, DIESEL {International MaxxFORCE DT} 255 HP, 660 lb-ft Torque @ 1400 RPM, 2600 RPM Governed Speed, # 2 Bell Housing

Includes

: AIR COMPRESSOR AIR SUPPLY LINE Naturally-Aspirated

: COLD STARTING EQUIPMENT Intake Manifold Electric Grid Heater with Engine ECM Control

Description

: CRUISE CONTROL Electronic; Controls Integral to Steering Wheel
: ENGINE OIL DRAIN PLUG Magnetic
: ENGINE SHUTDOWN Electric, Key Operated
: FUEL FILTER Included with Fuel/Water Separator
: FUEL/WATER SEPARATOR Fuel/Water Separator and Fuel Filter in a Single Assembly; With Water-in-Fuel Sensor; Engine Mounted
: GOVERNOR Electronic
: OIL FILTER, ENGINE Spin-On Type
: WET TYPE CYLINDER SLEEVES

FAN DRIVE {Borg-Warner SA85} Viscous Type, Screw On

Includes

: FAN Nylon

FEDERAL EMISSIONS for 2004; for International VT365, DT466 and DT570 Engines

RADIATOR Aluminum; 2-Row, Cross Flow, Over Under System, 717 SqIn Louvered, With 313 SqIn Charge Air Cooler. With In-Tank Transmission Cooler

Includes

: ANTI-FREEZE Red Shell Rotella Extended Life Coolant -40F (-40C)
: DEAERATION SYSTEM with Surge Tank
: HOSE CLAMPS, RADIATOR HOSES Gates Shrink Band Type; Thermoplastic Coolant Hose Clamps
: RADIATOR HOSES Premium, Rubber

AIR CLEANER Single Element

Includes

: GAUGE, AIR CLEANER RESTRICTION Air Cleaner Mounted

OVER-TEMPERATURE PROTECTION (For Engine Coolant) Omit Item

THROTTLE, HAND CONTROL Engine Speed Control for PTO; Electronic, Stationary Pre-Set, Two Speed Settings; Mounted on Steering Wheel

FEDERAL EMISSIONS 2007 for International MaxxFace DT Engines (DT466)

ENGINE CONTROL, REMOTE MOUNTED Provision for; Includes Wiring for Body Builder Installation of PTO Controls; With Ignition Switch Control for MaxxFace post 2007 Emissions Electronic Engines

EXPANDED ENGINE TEMP EFFECTS to Allow Higher Engine Operating Temperature Range; Includes Nylon Surge Tank and 15 psi Pressure Cap

EMISSION COMPLIANCE Federal, Does Not Comply With California Clean Air Regulations

OIL COOLER, AUTO TRANSMISSION Air to Oil Type; for Auto or AutoShift Transmissions

TRANSMISSION, AUTOMATIC {Allison 2200_EVS_P} 4th Generation Controls; Close Ratio, 5-Speed, With Overdrive; Includes Park Pawl, With PTO Provision, Less Retarder, With 26,000-lb GVW & GCW Max.

Includes

: OIL FILTER, TRANSMISSION Mounted on Transmission
: TRANSMISSION OIL PAN Magnet in Oil Pan

SUSPENSION AIR CONTROL VALVE Pressure Release Control In Cab

AXLE, REAR, SINGLE {Dana Spicer 17060S} Single Reduction, 17,500-lb Capacity, With 190 Wheel Ends . Gear Ratio: 4.33

Includes

: REAR AXLE DRAIN PLUG (1) Magnetic, For Single Rear Axle

SUSPENSION, REAR, AIR, SINGLE {International} Ride Optimized Suspension (IROS); 15,500-lb Capacity, 5.3" Ride Height, With Shock Absorbers

Description

FUEL TANK Top Draw; D Style, Steel, 50 U.S. Gal., 189 L Capacity, 16" Deep, With Quick Connect Outlet, Mounted Right Side, Under Cab

CAB Conventional

Includes

- : ARM REST (2) Molded Plastic; One Each Door
- : CLEARANCE/MARKER LIGHTS (5) Flush Mounted
- : COAT HOOK, CAB Located on Rear Wall, Centered Above Rear Window
- : CUP HOLDERS Two Cup Holders, Located in Lower Center of Instrument Panel
- : DOME LIGHT, CAB Rectangular, Door Activated and Push On-Off at Light Lens, Timed Theater Dimming, Integral to Console, Center Mounted
- : GLASS, ALL WINDOWS Tinted
- : GRAB HANDLE, CAB INTERIOR (1) "A" Pillar Mounted, Passenger Side
- : GRAB HANDLE, CAB INTERIOR (2) "B" Pillar Mounted, One Each Side
- : INTERIOR SHEET METAL Upper Door (Above Window Ledge) Painted Exterior Color
- : STEP (4) Two Steps per Door

GAUGE CLUSTER English With English Electronic Speedometer

Includes

- : GAUGE CLUSTER (5) Engine Oil Pressure (Electronic), Water Temperature (Electronic), Fuel (Electronic), Tachometer (Electronic), Voltmeter
- : ODOMETER DISPLAY, Miles, Trip Miles, Engine Hours, Trip Hours, Fault Code Readout
- : WARNING SYSTEM Low Fuel, Low Oil Pressure, High Engine Coolant Temp, and Low Battery Voltage (Visual and Audible)

GAUGE, OIL TEMP, ALLISON TRAN

IP CLUSTER DISPLAY On Board Diagnostics Display of Fault Codes in Gauge Cluster

SEAT, DRIVER {National 2000} Air Suspension, High Back With Integral Headrest, Vinyl, Isolator, 1 Chamber Lumbar, With 2 Position Front Cushion Adjust, -3 to +14 Degree Angle Back Adjust

Includes

- : SEAT BELT 3-Point, Lap and Shoulder Belt Type

SEAT, PASSENGER {National 2000} Air Suspension, High Back With Integral Headrest, Vinyl, Isolated, 1 Chamber Lumbar, 2 Position Front Cushion Adjustment, -3 to +14 Degree Back Adjust

Includes

- : SEAT BELT 3-Point, Lap and Shoulder Belt Type

GRAB HANDLE (2) Chrome Towel Bar Type With Anti-Slip Rubber Inserts; for Cab Entry, Mounted Left and Right, Each Side at "B" Pillar

MIRRORS (2) {Lang Mekra} Styled; Rectangular, 7.09" x 15.75" & Integral Convex Both Sides, 102" Inside Spacing, Breakaway Type, Heated Heads Thermostatically Controlled, Power Both Sides, Clearance Lights LED, Bright Finish Heads & Brackets

INSTRUMENT PANEL Center Section, Flat Panel

WINDOW, POWER (2) And Power Door Locks, Left and Right Doors, Includes Express Down Feature

AIR CONDITIONER {International Blend-Air} With Integral Heater & Defroster

Includes

- : HEATER HOSES Premium
- : REFRIGERANT Hydrofluorocarbon HFC-134A

STORAGE POCKET, DOOR Molded Plastic, Full Width; Mounted on Passenger Door

CAB INTERIOR TRIM Deluxe

Includes

- : "A" PILLAR COVER Molded Plastic
- : CAB INTERIOR TRIM PANELS Cloth Covered Molded Plastic, Full Height; All Exposed Interior Sheet Metal is Covered Except for the Following: with a Two-Man Passenger Seat or with a Full Bench Seat the Back Panel is Completely Void of Covering

Description

: CONSOLE, OVERHEAD Molded Plastic; With Dual Storage Pockets with Retainer Nets and CB Radio Pocket
: DOOR TRIM PANELS Molded Plastic; Driver and Passenger Doors
: FLOOR COVERING Rubber, Black
: HEADLINER Soft Padded Cloth
: INSTRUMENT PANEL TRIM Molded Plastic with Black Center Section
: STORAGE POCKET, DOOR (1) Molded Plastic, Full-Length; Driver Door
: SUN VISOR (2) Padded Vinyl with Driver Side Toll Ticket Strap, Integral to Console

WHEELS, FRONT DISC; 19.5" Painted Steel, 5 Hand Hold, 10-Stud (285.75MM BC) Hub Piloted, Flanged Nut, Metric Mount, 7.50 DC Rims; With Steel Hubs

Includes

: PAINT IDENTITY, FRONT WHEELS White
: WHEEL SEALS, FRONT Grease Lubricated, Includes Wheel Bearings

WHEELS, REAR DUAL DISC; 19.5" Painted Steel, 5 Hand Hole, 10-Stud (285.75MM BC) Hub Piloted, Flanged Nut, Metric Mount, 7.50 DC Rims; With Steel Hubs

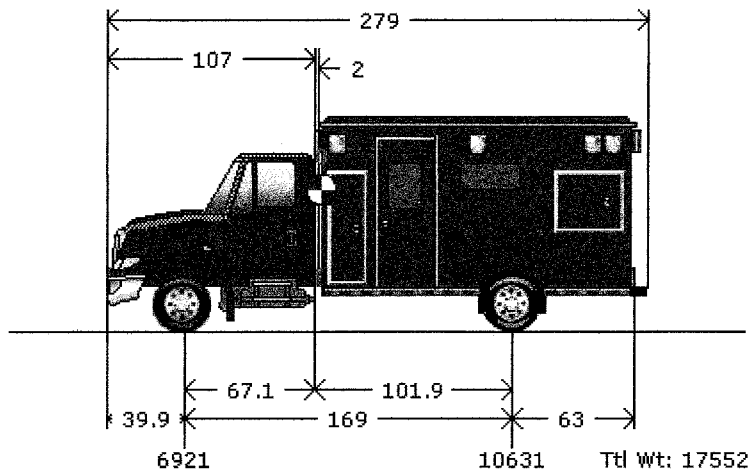
Includes

: PAINT IDENTITY, REAR WHEELS White
: WHEEL SEALS, REAR Oil Lubricated, Includes Wheel Bearings

(2) TIRE, FRONT 245/70R19.5 G647 RSS (GOODYEAR) 626 rev/mile, load range G, 14 ply

(4) TIRE, REAR 245/70R19.5 G622 RSD (GOODYEAR) 622 rev/mile, load range G, 14 ply

Provide and Install Ping Tanks--Dual Leveling Valves--Rear Bump Stops--



Graphics are provided as visual aids only and are not intended to represent the actual scale, shape, or color of the truck or its components. All weights are represented in lbs.

Truck			Body/Trailer			Chassis/Empty Weights		
Bumper to Axle	(BA)	39.9	Body Length	(BL)	170	Tractor Front Axle:		6,024
Wheelbase	(WB)	169.00				Tractor Rear Axle:		2,673
Axle to Frame	(AF)	63.00						
Axle to Back Cab	(ABC)	67.1						
Cab to Axle	(CA)	101.9						
Usable CA		101.9						
CA Reduction Adjustment		0						
Fuel (Gals)		50						

Before the Cab			Cab			Payloads Chassis				Body			After the Body		
#	Weight	CG	#	Weight	CG	#	Weight	CG	#	Weight	CG	#	Weight	CG	
						1	0	2							

Loads	
Payload Weight:	0
Driver:	500
Fuel(lbs):	355

Weight Distribution	
Total Front Axle:	6,921
Total Rear Axle:	10,631
Total Weight:	17,552

Weights and clearances in this proposal are estimates only. Navistar, Inc. is not liable for any consequences resulting from any differences between the estimated weights and clearances and the actual manufactured weights and clearances.

Weight Distribution

All weights are represented in lbs.

	<u>Truck</u>		
	Front	Rear	Total
<u>Chassis Weight</u>			
Chassis Weight:	6,024	2,673	8,697
Fuel:	266	89	355
Empty Body:	256	7,744	8,000
(Curb Weight):	6,546	10,506	17,052

Loads

Payloads:	0	0	0
Driver:	375	125	500
Axle Totals (Gross Weight):	6,921	10,631	17,552

Weight Ratings

	<u>Truck</u>	
	Front	Rear
Axle(axle capacity)	8,000	15,500
Tire(tire capacity)	9,080	18,160
Suspension(suspension capacity)	8,000	15,500
Spring:	0	
Fed Bridge Law (axle spread):	20,000	20,000
Wheel Combination	Load	Limit
1 - 2	17,552	44,000

Federal Total Vehicle Weight Limit: 80,000

Maximum Gross Vehicle Weight Rating (GVWR) 23,500 - Gross Vehicle Weight(GVW) 17,552 = 5,948 Reserves

Weight Summary

* Distributed weights are within capacity limits

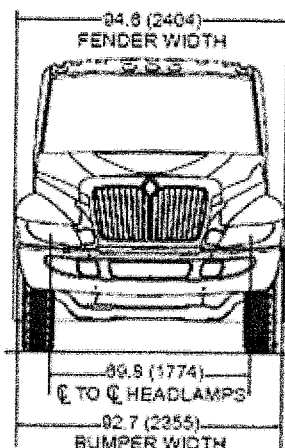
SPECIFICATIONS

4300 LP 4x2

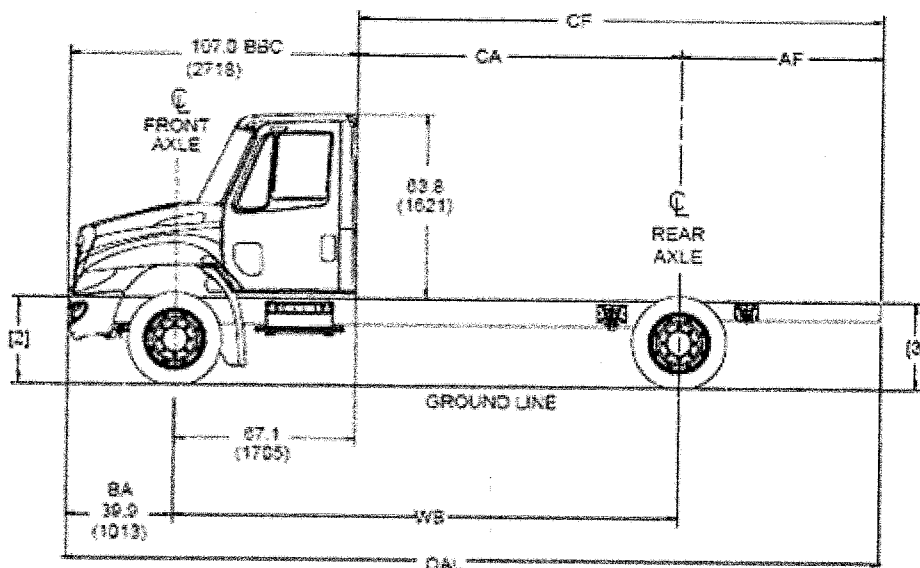
MODEL CODE: MH02500

Rating		Standard (lbs.)	Maximum (lbs.)
GAW	front	8,000	8,000
	rear	15,500	19,000
GVW	total	23,500	27,000
GCW	total	—	—

NOTE: Model Code and Wheelbase Must Be Specified on Order.



4000_front_rear_#2



4000_side_4x2LP_standard_#2

Wheelbase (in.)	Chassis Weight (lbs.) **			Dimensions (in.)				Turning Radius	
	Front	Rear	Total	CA	CF	AF	OAL	To Curb	w/Bumper Clearance
*140	5,878	2,497	8,375	73	112	39	219	20 ft. 10 in.	21 ft. 11 in.
152	5,925	2,562	8,487	85	148	63	255	22 ft. 4 in.	23 ft. 5 in.
169	6,010	2,521	8,531	102	165	63	272	24 ft. 5 in.	25 ft. 7 in.
175	6,039	2,507	8,546	108	171	63	278	25 ft. 2 in.	26 ft. 4 in.
187	6,094	2,533	8,627	120	195	75	302	26 ft. 8 in.	27 ft. 10 in.
205	6,184	2,490	8,674	138	213	75	320	29 ft. 0 in.	30 ft. 1 in.
217	6,209	2,569	8,778	150	246	96	353	29 ft. 2 in.	30 ft. 3 in.
236	6,305	2,521	8,826	169	265	96	372	31 ft. 5 in.	32 ft. 7 in.
254	6,404	2,489	8,893	187	283	96	390	33 ft. 7 in.	34 ft. 9 in.

NOTE: Chart data based on vehicle with standard equipment. Artwork may show some optional equipment.

* Dimension data and optional add-on weights for this model are based on the 140" wheelbase.

** Weight includes standard chassis, standard tires, oil and water, but less fuel.

NOTE: Dimension data based on 140" wheelbase.

[2] Frame Height at centerline of front axle: unloaded – 30.95", loaded – 28.83"

[3] Frame Height at centerline of rear axle: unloaded – 32.11", loaded – 28.34". Frame Height at centerline of rear axle with air suspension (Code 14TBM) with standard tires; unloaded - 30.76"; loaded - 29.64". Subtract 4.6" with air bags dumped.

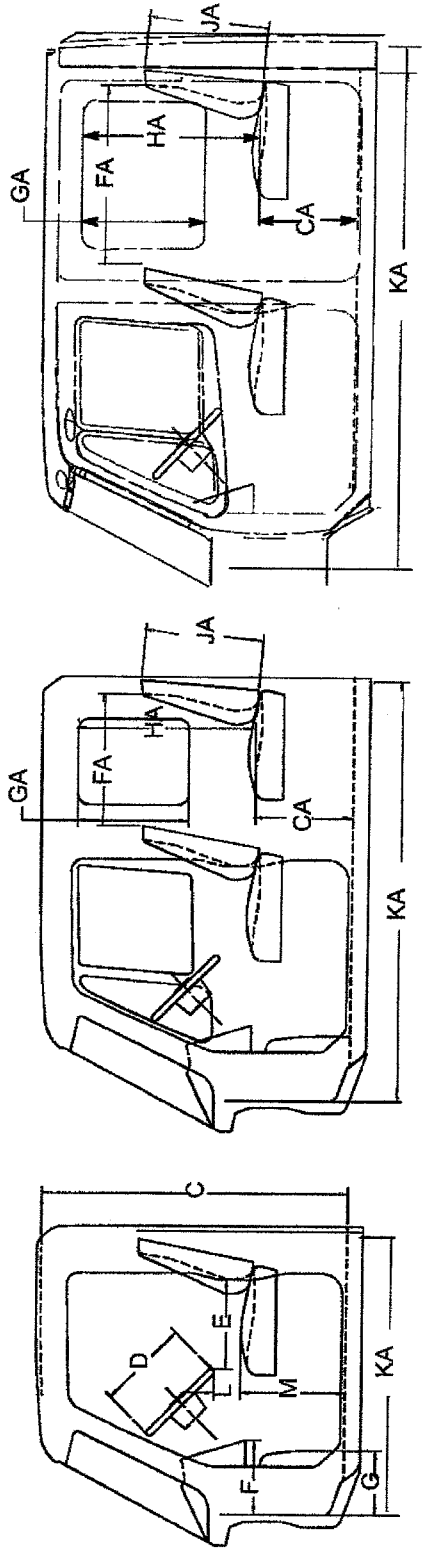
NOTE: Due to internal spring friction and manufacturing tolerances, these values may vary up to 0.5 inches. To achieve these nominal values directly after loading or unloading a vehicle, it may be necessary to drive the vehicle for a short period.

DuraStar™ SERIES

- 227 -

INTERNATIONAL

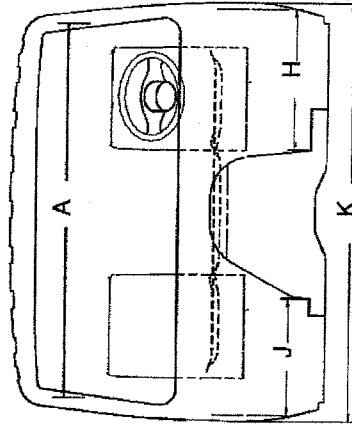
ALL MODELS
Cab Dimensions



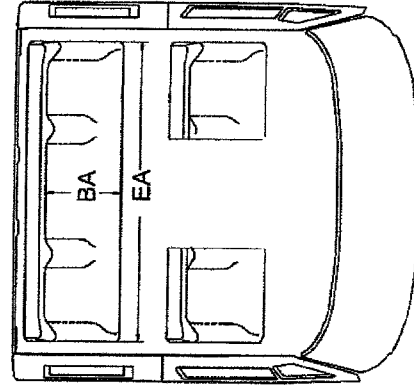
STANDARD CAB

EXTENDED CAB

CREW CAB



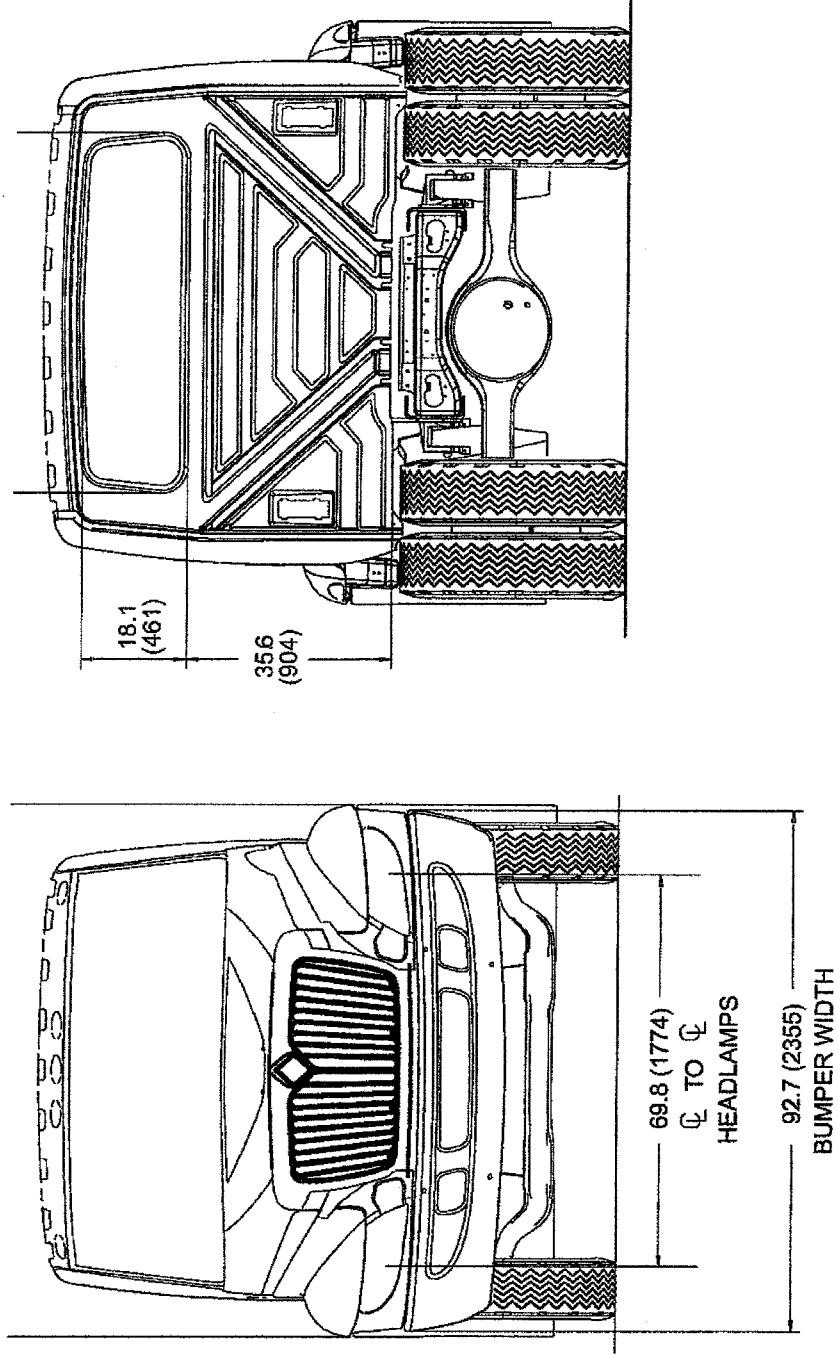
FRONT VIEW



TOP VIEW

ALL MODELS

Chassis Diagram – Front and Rear View



4000_front_rear

Effective with vehicles built April 1, 2009 or later.

OBTAINING SERVICE

Return this vehicle to any International Truck Dealer authorized to service this model vehicle and engine.

DISCLAIMER

NO WARRANTIES ARE GIVEN BEYOND THOSE DESCRIBED HEREIN. THIS WARRANTY IS IN LIEU OF ALL OTHER WARRANTIES, EXPRESSED OR IMPLIED. THE COMPANY SPECIFICALLY DISCLAIMS WARRANTIES OF MERCHANTABILITY AND FITNESS FOR A PARTICULAR PURPOSE, ALL OTHER REPRESENTATIONS TO THE USER/PURCHASER, AND ALL OTHER OBLIGATIONS OR LIABILITIES. THE COMPANY FURTHER EXCLUDES LIABILITY FOR INCIDENTAL AND CONSEQUENTIAL DAMAGES, ON THE PART OF THE COMPANY OR SELLER. No person is authorized to give any other warranties or to assume any liabilities on the Company's behalf unless made or assumed in writing by the Company; and no other person is authorized to give any warranties or to assume any liabilities on the seller's behalf unless made or assumed in writing by the seller.

Remedies Under State or Provincial Law: Some States and Provinces do not allow the exclusion or limitation of incidental or consequential damages, so the above limitation or exclusion may not apply to the owner. This warranty gives the owner specific legal rights, and he may also have other legal rights which may vary by state or province.

RECORD OF OWNERSHIP

Upon receipt of new vehicle by original owner, complete the following: I have read this Warranty Brochure and fully understand the warranty coverage. I acknowledge that I have received a copy of the Owner's Limited Warranty and I accept the terms described herein.

Customer Signature	_____	Date	_____
Owner's Address	_____	City	_____
		State/Prov	_____
		Postal Code	_____
Truck Model	_____	Vehicle Identification Number	_____
Engine Number	_____	Engine Serial Number	_____
Date Delivered to User (DTU)	_____	Odometer Reading at Delivery	_____

IMPORTANT: The information contained in this Warranty Policy explains the coverage provided on your new Navistar vehicle. This policy should be kept in the vehicle for presentation to the Dealer when you request warranty services.

**LIMITED WARRANTY FOR MODELS
1000, 4000, DURASTAR™ SERIES**

BASIC VEHICLE

Navistar, Inc., at its option, will repair or replace any part of this vehicle which proves defective in material or workmanship, in normal use and service, with new or ReNEWed® parts, for the first 24 months from new vehicle delivery date, regardless of distance traveled. Exceptions are listed herein under *What Is Not Included Under Vehicle Service Contract Coverage*.

This warranty is automatically transferred to subsequent owners at no charge. Visit your local International Dealer for name and address change information.

COMPONENT COVERAGE

The components described below are given **additional** warranty coverage of variable time periods and distance traveled limitations, as shown in the *Warranty Coverage Schedule*.

1. Frame Side Rails.
2. Cab/Cowl Structure (on-highway applications).
3. The Cab/Cowl is warranted against perforation due to corrosion, except for perforation caused by industrial chemicals and/or corrosion caused by use in a corrosive industrial environment.
4. Navistar Diesel Engines including: block, cylinder heads, fuel pump, high pressure pump, turbocharger, internally lubricated components, and water pump, injectors/nozzles; electronic modules, relays, sensors and regulators required for electronic engine operation.
Note: Thermostats, attaching accessories, or externally mounted filtration systems, glow plugs, glow plug relay, and harness are warranted per the Warranty Coverage Schedule.

Note: The customer has 365 days and up to a maximum of 100,000 miles (160,000 km) from DTU (delivery to end user) to purchase an extended warranty on the unit. For extended warranty purchases between, 181 through 365 days from DTU and <100,000 miles (160,000 km) an additional fee will be assessed. See your local International dealer for details.



WARRANTY COVERAGE SCHEDULE

Items Covered	Months	Miles/Km (000)
BASIC VEHICLE COVERAGE		
Basic Vehicle Warranty (Feature Code 40024)	24	Unlimited
COMPONENTS		
Frame side rails	84	Unlimited
Cab/cowl structure	60	Unlimited
Cab/cowl perforation corrosion	60	Unlimited
Batteries	12	Unlimited
Brightwork, Chassis Paint and Corrosion (other than Cab)	6	Unlimited
Cab Paint	12	Unlimited
ENGINE		
Fire Trucks, Ambulances, Emergency Rescue application only		
MaxxForce™ 7 Engine	60	100/160
MaxxForce™ 7 Engine glow plugs, relay, harness/connector	36	Unlimited
MaxxForce™ 9 Engine	60	100/160
MaxxForce™ DT Engine	60	100/160
Non-Rescue Applications		
MaxxForce™ 7 Engine	36	150/240
MaxxForce™ 7 Engine glow plugs, relay, harness/connector	12	Unlimited
MaxxForce™ 9 Engine	36	150/240
MaxxForce™ DT Engine	36	150/240
DRIVETRAIN		
Eaton/Fuller 6206/6306 Transmission	24	Unlimited
Spicer axles, Propshaft, Eaton clutch, TTC Transmission	24	Unlimited
Transfer Case	24	Unlimited

WHAT IS NOT INCLUDED UNDER BASIC COVERAGE

AFTER THE FIRST 90 DAYS FROM DELIVERY TO USER (DTU):

- Correction of loose fasteners, squeaks, rattles and unusual noises.
- Towing.
- Adjustments and maintenance (e.g., aim headlights, adjust brake/clutch, adjust steering system, check and fill coolant levels).
- **COMPONENTS / ITEMS:**
- Warranted by their respective manufacturers (e.g., non-Navistar brand engines, tires & tubes, Allison Transmissions, lubricants, etc.)
- Bodies, equipment, and accessories installed by other than authorized Navistar Truck employees at Navistar Truck manufacturing plants.
- Front and rear axle alignment.
- **REPAIRS & MAINTENANCE:**
- Maintenance-related items/repairs, or those as a result of normal wear and tear, including tune-ups, brake/clutch linings, windshield wiper blades, tire balancing, lubrication and other similar procedures/parts required to keep vehicle in good working condition.
- Vehicle misuse, negligent care, improper maintenance, improper operation, or the result of accident or collision.
- Fade, runs, mismatch or damage to paint, trim items, upholstery, chrome, polished surfaces, etc., resulting from environmental causes, improper polishes, cleaners or washing solutions, or chemical and industrial fallout.
- Failure to observe published capacity or load specifications for engine, transmission, propshaft, axles (power train) and suspension.
- **OTHER:**
- Vehicles sold and/or operated outside the United States and Canada.
- Vehicles/components which have had unauthorized alterations or modifications.
- Vehicles on which the odometer reading has been altered.
- Loss of time or use of the vehicle, loss of profits, inconvenience, or other consequential or incidental damages or expenses.
- Replacement of defective parts with parts other than those provided by Navistar, Inc.